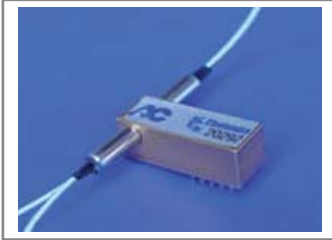


## 1x2 Mechanical Multi-mode Fiberoptic Switch



ACP's MMS Series switch connects optical channels by redirecting an incoming optical signal into a selected output fiber. This is achieved using a patent pending opto-mechanical proprietary configuration and activated via an electrical control signal. The Switch offers ultra-high reliability and fast switching speed as well as bi-directional performance. The MMS fiberoptic switches are true switching solution for optical networking applications.

### Key Features

- Unmatched Low Cost
- Low Insertion Loss
- High Channel Isolation
- High Stability and Reliability
- Epoxy Free Optical Path
- Latching or Non-Latching

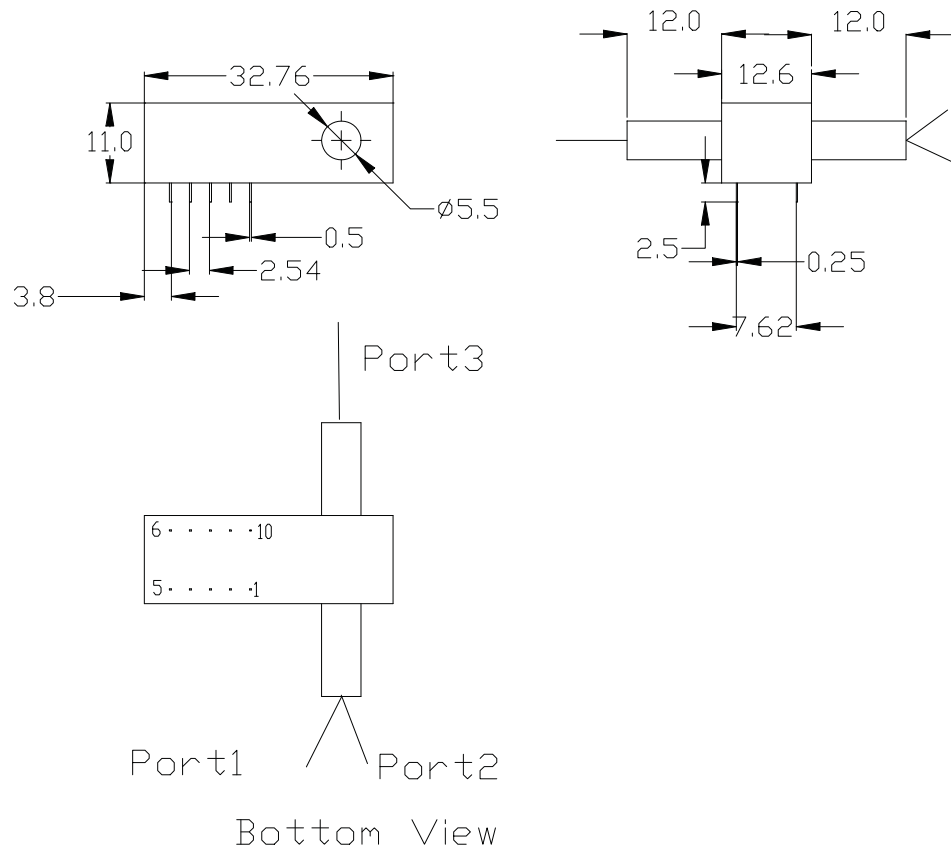
### Applications

- Optical Network Protection/Restoration
- Optical Signal Routing
- Configurable Optical Add/Drop
- Transmitter and Receiver Protection
- Network Test Systems
- Instrumentation

### Performance Specifications

Parameter	Specifications			
	850nm, 1310nm, or 1550 ± 40nm		850nm / 1310nm, 850nm / 1550nm 1310nm / 1550nm	
Insertion Loss	<b>P Grade</b>	<b>A Grade</b>	<b>P Grade</b>	<b>A Grade</b>
	≤ 0.8dB	≤ 1.0dB	≤ 1.0dB	≤ 1.2dB
Wavelength Dependent Loss	≤ 0.25dB		≤ 0.30dB	
Polarization Dependent Loss	≤ 0.05dB			
Channel Cross Talk	≥ 35dB			
Return Loss	≥ 35dB			
Switching Speed	≤ 10ms (4ms Typ.)			
Operating Voltage	5V			
Durability (Cycles)	10 Million (Min.)			
Optical Power	500mW			
Operating Temperature	0 to +70°C			
Storage Temperature	-40 to +85°C			
Package Dimensions	L32.76mm x W12.6mm x H11.0mm (Or custom size)			

## Mechanical Dimensions



## Electrical Pin Configuration

Optical Path		Port1- Port2		Port1- Port3	
<b>Electric Drive</b>	Non-Latching	Pin1	Pin10		
	Latching	Pin1	Pin5	Pin6	Pin10
		V+	GND	GND	V+
<b>Sensor Status</b>	Non-Latching and Latching	Pin2-3, Pin8-9 Open		Pin2-3, Pin8-9 Close	
		Pin3-4, Pin7-8 Close		Pin3-4, Pin7-8 Open	

Parameter	Typical	Minmum	Maxmum
Switch Voltage	5V	4.5V	5.5V
Switch Current	> 40mA		
Pulse Duration	> 25ms		

### Ordering Information

MMS	<input type="checkbox"/>	<input type="checkbox"/> <input type="checkbox"/>	<input type="checkbox"/> <input type="checkbox"/> <input type="checkbox"/> <input type="checkbox"/>	<input type="checkbox"/>	<input type="checkbox"/>	<input type="checkbox"/>	<input type="checkbox"/> <input type="checkbox"/>
Option	Operating Wavelength	Port	Grade	Fiber Type	Pigtail Style	In/Out Connector	
L = Latching N = Non-Latching	13 = 1310±40nm 15 = 1550±40nm 85 = 850±40nm 35 = 1310/1550nm 38 = 1310/850nm 58 = 1550/850nm	0102 = 1x2	P = P Grade A = A Grade	1 = 50/125 Multi-mode 2 = 62.5/125 Multi-mode	1 = Bare Fiber 2 = 900um Jacket	0 = None 1 = FC/APC 2 = FC/PC 3 = SC/APC 4 = SC/PC 5 = ST 6 = LC/UPC	